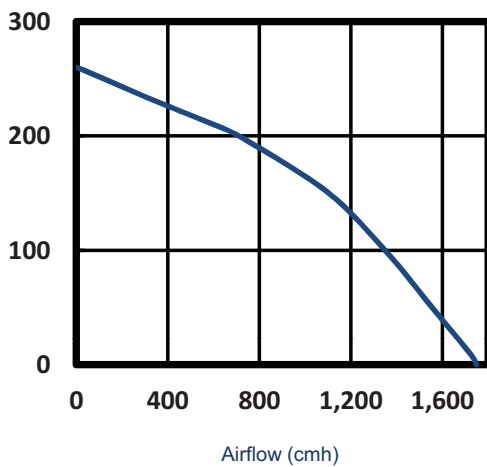




- + easy installation (DIN standard flange).
- + can be installed in any position.
- + easy cleaning and maintenance.
- + high pressure and volume output.
- + asynchronous external rotor motor.
- + motor protection by thermal contacts.
- + protection class IP54 and insulation class F.
- + air performance tested to DIN 24163.
- + low noise.
- + backward curve impeller made from plastic.
- + speed is 100% infinitely variable using auto transformer or electronic control.

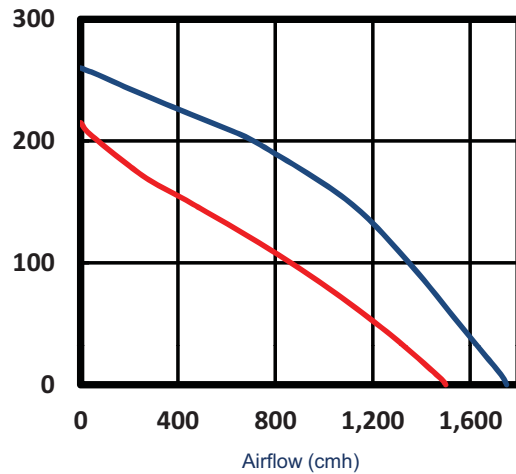
**Technical Data:**

Static Pressure (Pa)



**Technical Data:**

Static Pressure (Pa)



Type: <b>DKHR 310-4</b>		Art. No. N62-31001	
U	400V (50Hz)	Δpfa min	- Pa
P1	0.15 kW	Δ I	- %
IN	0.32 A	IA / 1N	2.3
n (min-1)	1330	Class/ IP	F/ IP54
C( uF 400V)	- uF	W. diag	01.006
tR	50 °C	Weight	22 kg

Type: <b>DKHR 310-4-4</b>		Art. No. N62-31000	
U	400V (50Hz)	Δpfa min	- Pa
P1	0.15/0.09 kW	Δ I	- %
IN	0.32/ 0.16 A	IA / 1N	2.3
n (min-1)	1330 / 1260	Class/ IP	F/ IP54
C( uF 400V)	- uF	W. diag	01.045
tR	50 °C	Weight	22 kg

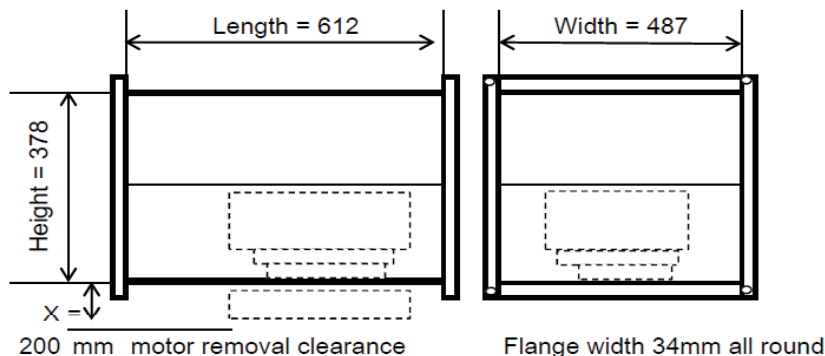
**Sound levels:** ( High speed )

LW A-weighted at V=0.5*Vmax	Frequency (Hz)							
	125	250	500	1K	2K	4K	8K	
dBA Casing	52	51	44	40	35	31	25	20
dBA inlet side	62	48	54	54	57	56	50	43
dBA Outlet side	64	44	53	58	60	57	51	45

**Sound levels:** ( Low speed )

LW A-weighted at V=0.5*Vmax	Frequency (Hz)							
	125	250	500	1K	2K	4K	8K	
dBA Casing	52	47	40	36	31	27	21	16
dBA inlet side	64	44	50	50	53	52	46	39
dBA Outlet side	60	40	49	54	56	53	47	41

**Dimensions:** (all dimensions in mm)

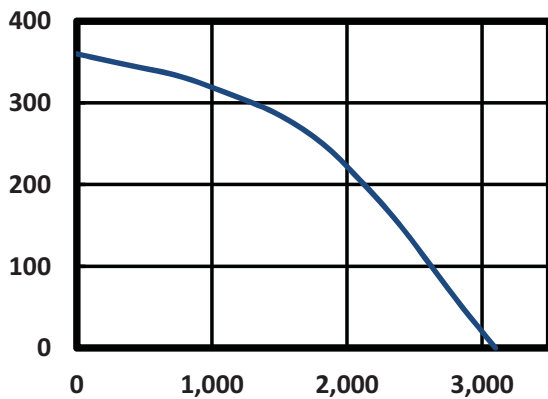




- + easy installation (DIN standard flange).
- + can be installed in any position.
- + easy cleaning and maintenance.
- + high pressure and volume output.
- + asynchronous external rotor motor.
- + motor protection by thermal contacts.
- + protection class IP54 and insulation class F.
- + air performance tested to DIN 24163.
- + low noise.
- + backward curve impeller made from plastic.
- + speed is 100% infinitely variable using auto transformer or electronic control.

**Technical Data:**

Static Pressure (Pa)



Airflow (cmh)

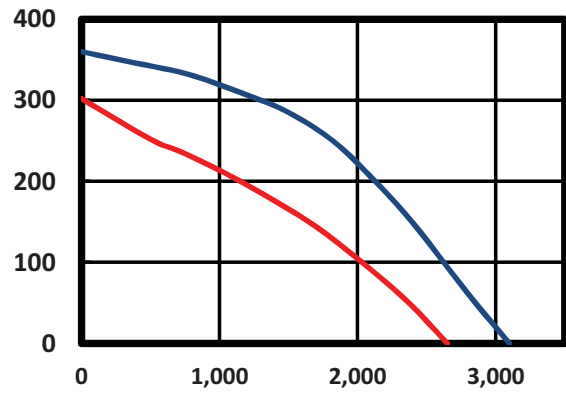
Type: <b>DKHR 355-4</b>		Art. No. N62-35500	
U	400V (50Hz)	Δpfa min	- Pa
P1	0.27 kW	Δ I	- %
IN	0.55 A	IA / 1N	2.7
n (min-1)	1310	Class/ IP	F/ IP54
C( uF 400V)	- uF	W. diag	01.006
tR	60°C	Weight	35 kg

**Sound levels:** ( High speed )

LW A-weighted at V=0.5*Vmax	Frequency (Hz)							
	125	250	500	1K	2K	4K	8K	
dBA Casing	57	56	49	45	40	36	30	25
dBA inlet side	69	56	60	65	63	60	56	45
dBA Outlet side	69	57	58	64	64	61	57	44

**Technical Data:**

Static Pressure (Pa)



Airflow (cmh)

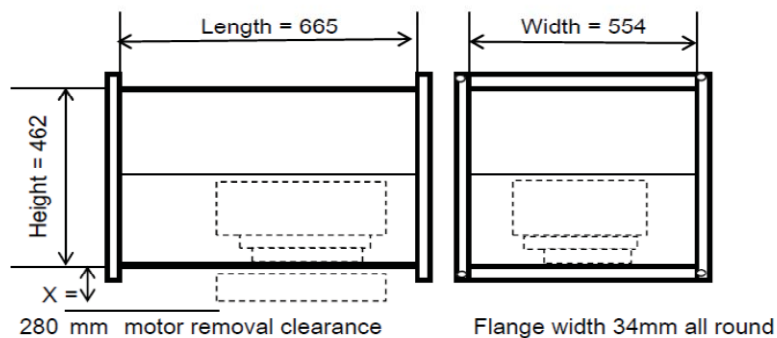
Type: <b>DKHR 355-4-4</b>		Art. No. N62-35509	
U	400V (50Hz)	Δpfa min	- Pa
P1	0.27/0.18 kW	Δ I	- %
IN	0.55/ 0.3 A	IA / 1N	2.7
n (min-1)	1310 / 1040	Class/ IP	F/ IP54
C( uF 400V)	- uF	W. diag	01.045
tR	60°C	Weight	35 kg

**Sound levels:** ( Low speed )

LW A-weighted at V=0.5*Vmax	Frequency (Hz)							
	125	250	500	1K	2K	4K	8K	
dBA Casing	54	53	46	42	37	33	27	22
dBA inlet side	66	53	57	62	60	57	53	42
dBA Outlet side	66	54	55	61	61	58	54	41

**Dimensions:**

(all dimensions in mm)

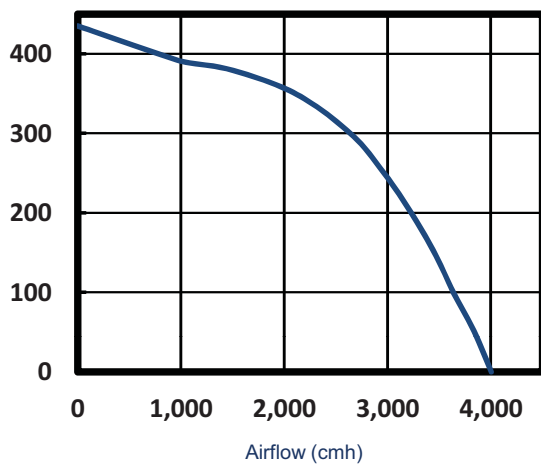




- + easy installation (DIN standard flange).
- + can be installed in any position.
- + easy cleaning and maintenance.
- + high pressure and volume output.
- + asynchronous external rotor motor.
- + motor protection by thermal contacts.
- + protection class IP54 and insulation class F.
- + air performance tested to DIN 24163.
- + low noise.
- + backward curve impeller made from plastic.
- + speed is 100% infinitely variable using auto transformer or electronic control.

**Technical Data:**

Static Pressure (Pa)



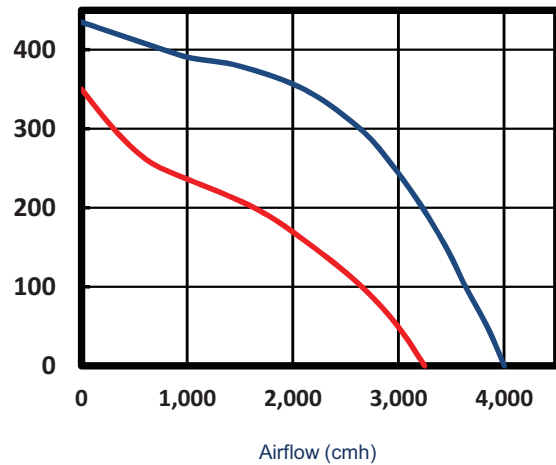
Type: <b>DKHR 400-4</b>		Art. No. N62-40000	
U	400V (50Hz)	Δpfa min	- Pa
P1	0.46 kW	Δ I	- %
IN	0.84 A	IA / 1N	3.2
n (min-1)	1340	Class/ IP	F/ IP54
C( uF 400V)	- uF	W. diag	01.006
tR	50 °C	Weight	42 kg

**Sound levels:** ( High speed )

LW A-weighted at V=0.5*Vmax	Frequency (Hz)						
	125	250	500	1K	2K	4K	8K
dBA Casing 64	63	56	52	47	43	37	32
dBA inlet side 76	61	70	72	68	66	63	56
dBA Outlet side 76	66	67	69	72	67	62	53

**Technical Data:**

Static Pressure (Pa)



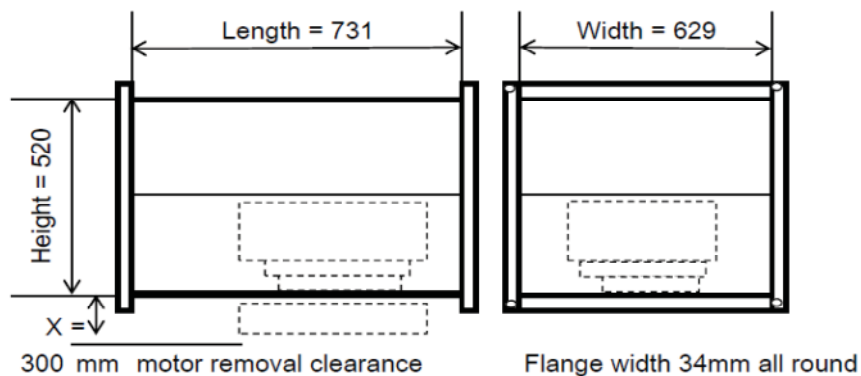
Type: <b>DKHR 400-4-4</b>		Art. No. N62-40009	
U	400V (50Hz)	Δpfa min	- Pa
P1	0.46/0.34 kW	Δ I	- %
IN	0.84/ 0.55 A	IA / 1N	3.2
n (min-1)	1340 / 1115	Class/ IP	F/ IP54
C( uF 400V)	- uF	W. diag	01.045
tR	50 °C	Weight	42 kg

**Sound levels:** ( Low speed )

LW A-weighted at V=0.5*Vmax	Frequency (Hz)						
	125	250	500	1K	2K	4K	8K
dBA Casing 57	56	49	45	40	36	30	25
dBA inlet side 69	54	63	65	61	59	56	49
dBA Outlet side 69	59	60	62	65	60	55	46

**Dimensions:**

(all dimensions in mm)

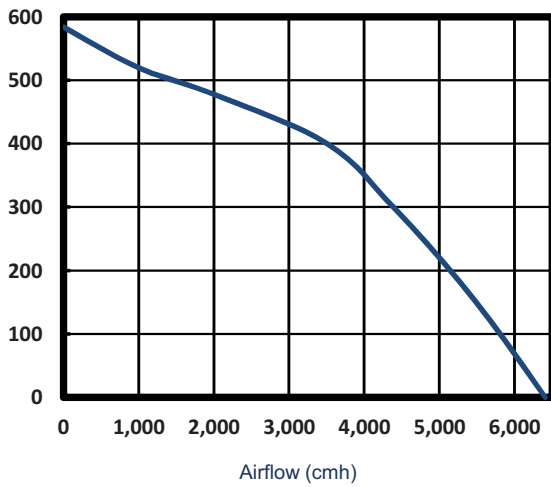




- + easy installation (DIN standard flange).
- + can be installed in any position.
- + easy cleaning and maintenance.
- + high pressure and volume output.
- + asynchronous external rotor motor.
- + motor protection by thermal contacts.
- + protection class IP54 and insulation class F.
- + air performance tested to DIN 24163.
- + low noise.
- + backward curve impeller made from aluminium.
- + speed is 100% infinely variable using auto transformer or electronic control.

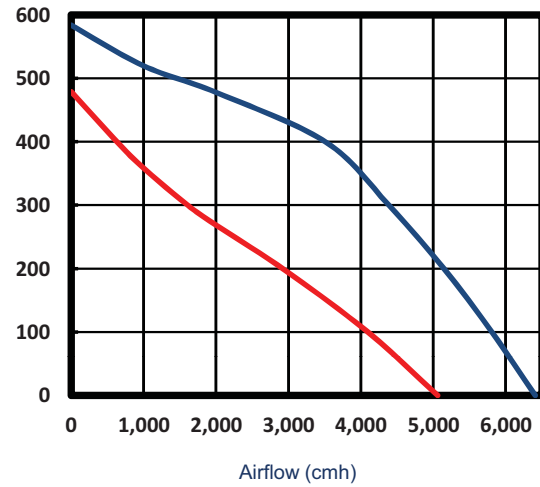
**Technical Data:**

Static Pressure (Pa)



**Technical Data:**

Static Pressure (Pa)



Type: <b>DKHR 450-4W</b>		Art. No. N63-45007	
U	400V (50Hz)	Δpfa min	- Pa
P1	0.94 kW	Δ I	- %
IN	1.7 A	IA / 1N	3.3
n (min-1)	1320	Class/ IP	F/ IP54
C( uF 400V)	- uF	W. diag	01.006
tR	40 °C	Weight	57 kg

Type: <b>DKHR 450-4W</b>		Art. No. N63-45008	
U	400V (50Hz)	Δpfa min	- Pa
P1	0.94/0.62 kW	Δ I	- %
IN	1.7/ 1.1 A	IA / 1N	3.3
n (min-1)	1320 / 990	Class/ IP	F/ IP54
C( uF 400V)	- uF	W. diag	01.045
tR	40 °C	Weight	57 kg

**Sound levels:** ( High speed )

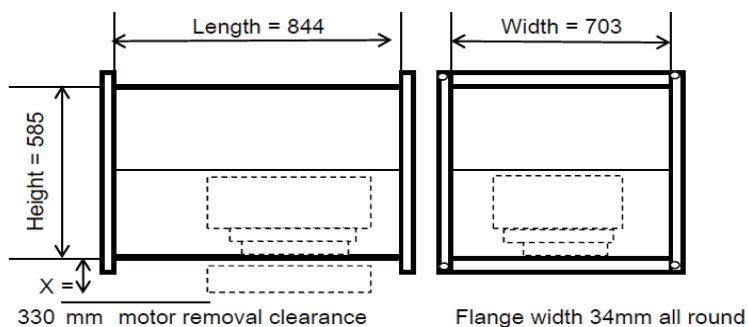
LW A-weighted at V=0.5*Vmax	Frequency (Hz)							
	125	250	500	1K	2K	4K	8K	
dBA Casing	63	62	55	51	46	42	36	31
dBA inlet side	75	60	69	71	67	65	62	55
dBA Outlet side	75	65	66	68	71	66	61	52

**Sound levels:** ( Low speed )

LW A-weighted at V=0.5*Vmax	Frequency (Hz)							
	125	250	500	1K	2K	4K	8K	
dBA Casing	55	54	47	43	38	34	28	23
dBA inlet side	67	52	61	63	59	57	54	47
dBA Outlet side	67	57	58	60	63	58	53	44

**Dimensions:**

(all dimensions in mm)

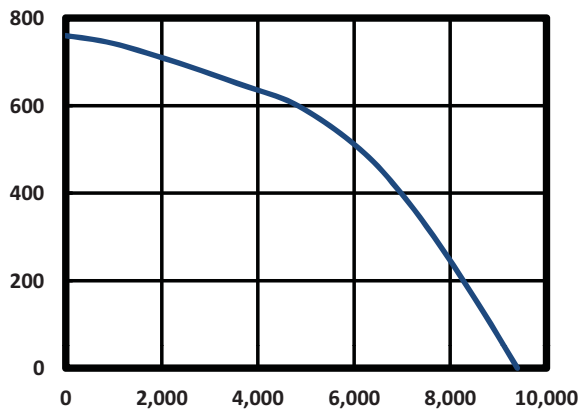




- + easy installation (DIN standard flange).
- + can be installed in any position.
- + easy cleaning and maintenance.
- + high pressure and volume output.
- + asynchronous external rotor motor.
- + motor protection by thermal contacts.
- + protection class IP54 and insulation class F.
- + air performance tested to DIN 24163.
- + low noise.
- + backward curve impeller made from aluminium.
- + speed is 100% infinitely variable using auto transformer or electronic control.

**Technical Data:**

Static Pressure (Pa)



Airflow (cmh)

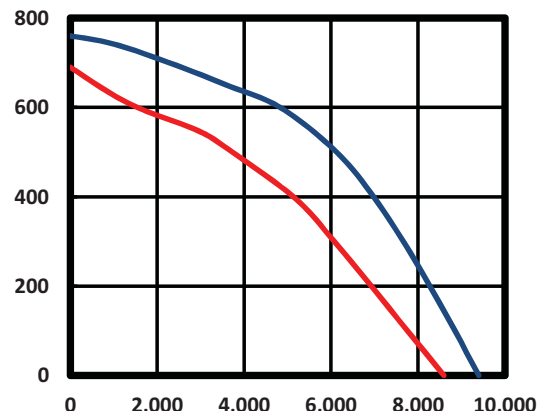
Type:	<b>DKHR 500-4</b>	Art. No. N61-50000	
U	400V (50Hz)	Δpfa min	- Pa
P1	1.35 kW	Δ I	- %
IN	2.6 A	IA / 1N	3.9
n (min-1)	1360	Class/ IP	F/ IP54
C (uF 400V)	- uF	W. diag	01.006
tR	50°C	Weight	65 kg

**Sound levels:** ( High speed )

LW A-weighted at V=0.5*Vmax	Frequency (Hz)						
	125	250	500	1K	2K	4K	8K
dBA Casing	68	67	60	56	51	47	41
dBA inlet side	80	61	73	74	74	72	69
dBA Outlet side	80	60	69	72	77	71	67

**Technical Data:**

Static Pressure (Pa)



Airflow (cmh)

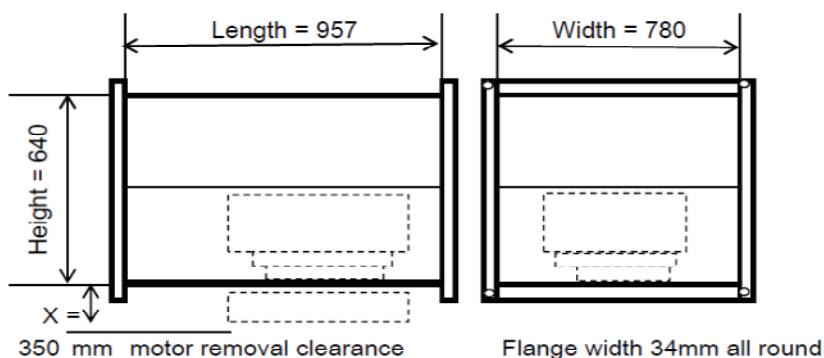
Type:	<b>DKHR 500-4-4</b>	Art. No. N61-50009	
U	400V (50Hz)	Δpfa min	- Pa
P1	1.35/ 0.52kW	Δ I	- %
IN	2.6/ 1.6 A	IA / 1N	3.9
n (min-1)	1360 / 1190	Class/ IP	F/ IP54
C (uF 400V)	- uF	W. diag	01.045
tR	50°C	Weight	65 kg

**Sound levels:** ( Low speed )

LW A-weighted at V=0.5*Vmax	Frequency (Hz)						
	125	250	500	1K	2K	4K	8K
dBA Casing	64	63	56	52	47	43	37
dBA inlet side	76	57	69	70	70	68	65
dBA Outlet side	76	56	65	68	73	67	63

**Dimensions:**

(all dimensions in mm)

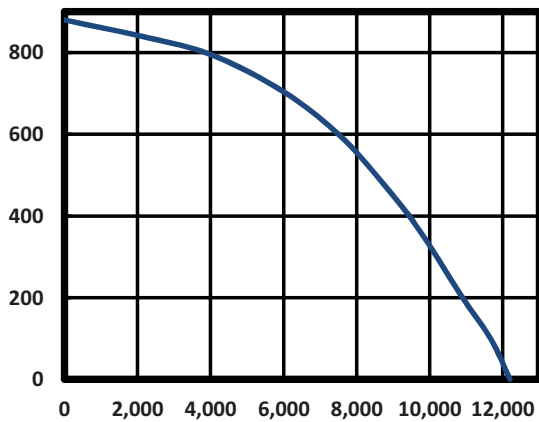




- + easy installation (DIN standard flange).
- + can be installed in any position.
- + easy cleaning and maintenance.
- + high pressure and volume output.
- + asynchronous external rotor motor.
- + motor protection by thermal contacts.
- + protection class IP54 and insulation class F.
- + air performance tested to DIN 24163.
- + low noise.
- + backward curve impeller made from aluminium.
- + speed is 100% infinitely variable using auto transformer or electronic control.

**Technical Data:**

Static Pressure (Pa)



Airflow (cmh)

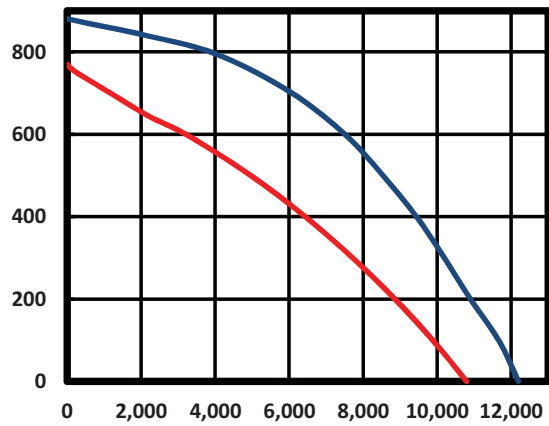
Type:	<b>DKHR 560-4</b>	Art. No. N61-56000	
U	400V (50Hz)	Δpfa min	- Pa
P1	2.16 kW	Δ I	- %
IN	4.2 A	IA / 1N	3.1
n (min-1)	1305	Class/ IP	F/ IP54
C( uF 400V)	- uF	W. diag	01.006
tR	50 °C	Weight	85 kg

**Sound levels:** ( High speed )

LW A-weighted at V=0.5*Vmax	Frequency (Hz)							
	125	250	500	1K	2K	4K	8K	
dBA Casing	70	69	62	58	53	49	43	38
dBA inlet side	82	63	75	76	76	74	71	62
dBA Outlet side	82	62	71	74	79	73	69	60

**Technical Data:**

Static Pressure (Pa)



Airflow (cmh)

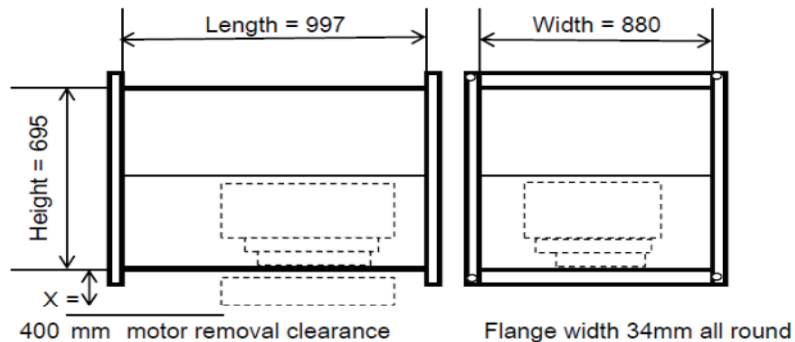
Type:	<b>DKHR 560-4-4</b>	Art. No. N61-56009	
U	400V (50Hz)	Δpfa min	- Pa
P1	2.24/ 1.75 kW	Δ I	- %
IN	4.2/ 2.9 A	IA / 1N	3.1
n (min-1)	1305 / 1070	Class/ IP	F/ IP54
C( uF 400V)	- uF	W. diag	01.045
tR	50 °C	Weight	85 kg

**Sound levels:** ( Low speed )

LW A-weighted at V=0.5*Vmax	Frequency (Hz)							
	125	250	500	1K	2K	4K	8K	
dBA Casing	65	64	57	53	48	44	38	33
dBA inlet side	77	58	70	71	71	69	66	57
dBA Outlet side	77	57	66	69	74	68	64	55

**Dimensions:**

(all dimensions in mm)

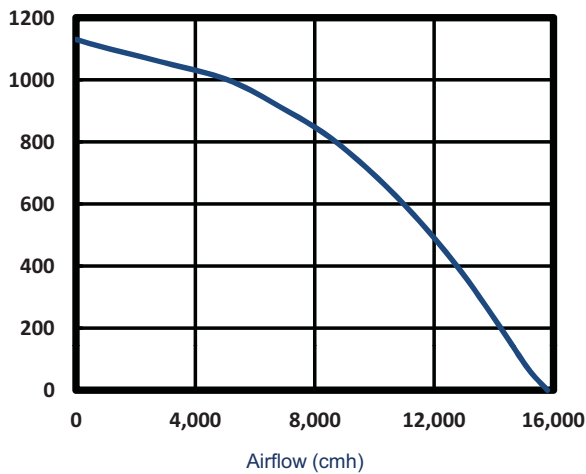




- + easy installation (DIN standard flange).
- + can be installed in any position.
- + easy cleaning and maintenance.
- + high pressure and volume output.
- + asynchronous external rotor motor.
- + motor protection by thermal contacts.
- + protection class IP54 and insulation class F.
- + air performance tested to DIN 24163.
- + low noise.
- + backward curve impeller made from aluminium.
- + speed is 100% infinitely variable using auto transformer or electronic control.

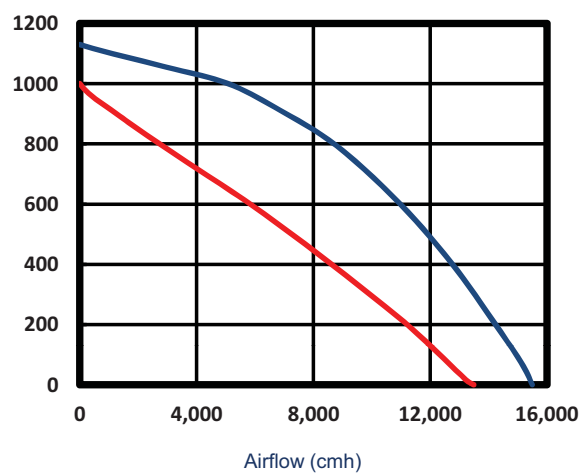
**Technical Data:**

Static Pressure (Pa)



**Technical Data:**

Static Pressure (Pa)



Type: <b>DKHR 630-4</b>		Art. No. N61-63000	
U	400V (50Hz)	Δpfa min	- Pa
P1	4 kW	Δ I	20 %
IN	6.8 A	IA / 1N	4.2
n (min-1)	1380	Class/ IP	F/ IP54
C( uF 400V)	- uF	W. diag	01.006
tR	45 °C	Weight	105 kg

Type: <b>DKHR 630-4-4</b>		Art. No. N61-63009	
U	400V (50Hz)	Δpfa min	- Pa
P1	4 / 2.9 kW	Δ I	20 %
IN	6.8/ 4.8 A	IA / 1N	4.2
n (min-1)	1380 / 1110	Class/ IP	F/ IP54
C( uF 400V)	- uF	W. diag	01.045
tR	45 °C	Weight	105 kg

**Sound levels:** ( High speed )

LW A-weighted at V=0.5*Vmax	Frequency (Hz)						
	125	250	500	1K	2K	4K	8K
dBA Casing 78	77	70	66	61	57	51	46
dBA inlet side 90	71	83	84	84	82	79	70
dBA Outlet side 90	70	79	82	87	81	77	68

**Sound levels:** ( Low speed )

LW A-weighted at V=0.5*Vmax	Frequency (Hz)						
	125	250	500	1K	2K	4K	8K
dBA Casing 73	72	65	61	56	52	46	41
dBA inlet side 85	66	78	79	79	77	74	65
dBA Outlet side 85	65	74	77	82	76	72	63

**Dimensions:**

(all dimensions in mm)

