

Unobox Abluftboxen mit rückwärtsgekrümmten Radiallaufrädern

Unobox exhaust units with backward curved centrifugal impellers



Typenschlüssel / Type Code

UNO 67 -560 -4 E .6 IF

Unobox / Unobox

Baugröße des Gehäuses / box size

50=500mm ; 67=670mm ;
80=800mm ; 102=1020mm

Laufraddurchmesser / impeller diameter

Polzahl / number of poles

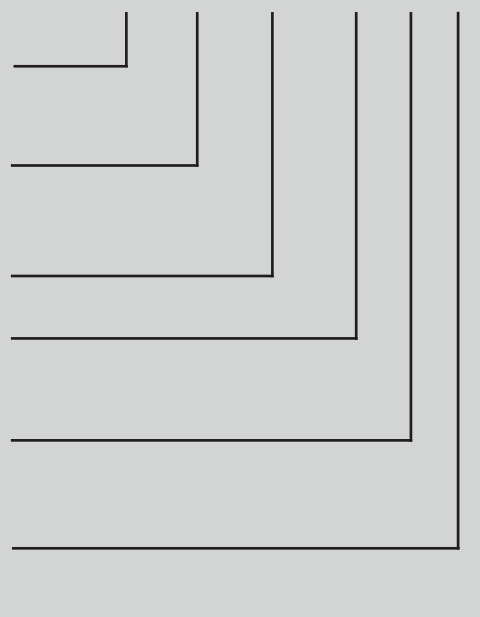
D = Drehstrom / three phase alternating current

E = Einphasenwechselstrom / single phase

G = EC-Motor / EC motor

Motorbaugröße / motor size (5=112 ; 6=150)

Paketlänge / stack length

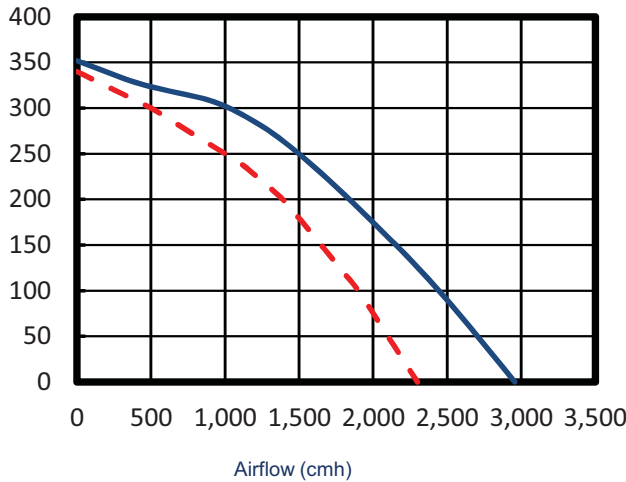




- + installation in any position possible
- + high efficiency as a result of optimized backward curved impellers
- + speed is 100% infinitely variable
- + no condensate formation by using 2 chambers aluminium profile
- + discharge in any direction possible
- + air performance tested to DIN 24163.
- + extremely low noise.
- + backward curve impeller made from plastic.

Technical Data:

Static Pressure (Pa)



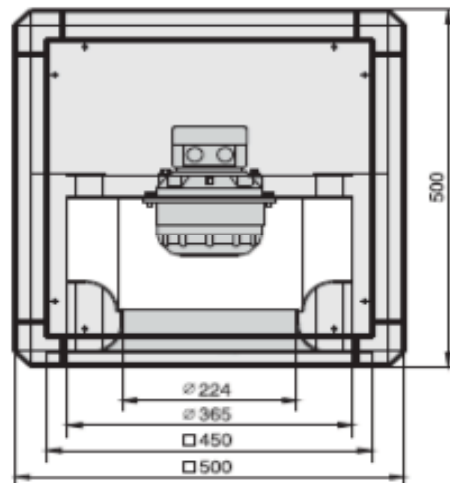
Type: UNO-50-355-4E		Art. No. F08-35503	
U	230V (50Hz)	Δpfa min	- Pa
P1	0.28 Kw	Δ I	11 %
IN	1.25A	IA / 1N	2
n (min-1)	1255	Class/ IP	F/ IP54
C(uF 400V)	6 uF	W. diag	01.024
tR	55°C	Weight	32 kg

Sound levels:

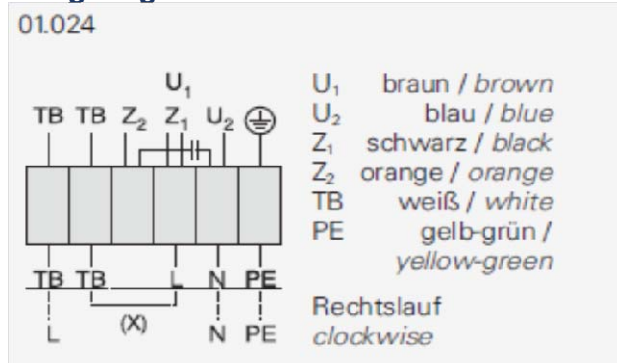
LW A-weighted at V=0.5*Vmax	Frequency (Hz)							
	125	250	500	1K	2K	4K	8K	
dBA Casing	47	43	34	36	36	32	33	43
dBA inlet side	69	56	60	65	63	60	56	45
dBA Outlet side	69	57	58	64	64	61	57	44

Dimensions:

(all dimensions in mm)



Wiring diagram:

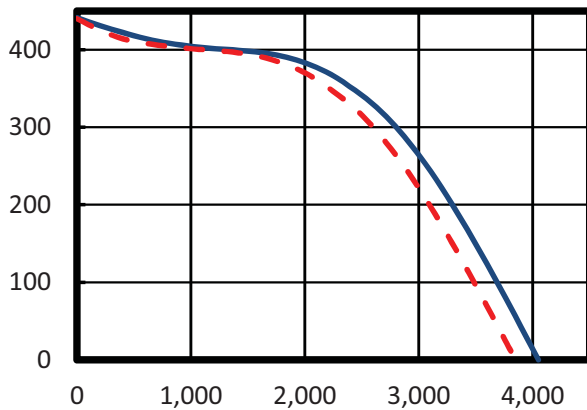




- + installation in any position possible
- + high efficiency as a result of optimized backward curved impellers
- + speed is 100% infinely variable
- + no condensate formation by using 2 chambers aluminium profile
- + discharge in any direction possible
- + air performance tested to DIN 24163.
- + extremely low noise.
- + backward curve impeller made from plastic.

Technical Data:

Static Pressure (Pa)



Airflow (cmh)

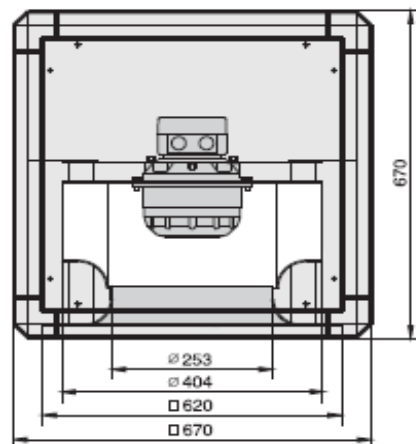
Type: UNO-67-400-4E		Art. No. F08-40007	
U	230V (50Hz)	Δpfa min	- Pa
P1	0.54 Kw	Δ I	18 %
IN	2.55A	IA / 1N	2.65
n (min-1)	1375	Class/ IP	F/ IP54
C(uF 400V)	18 uF	W. diag	01.024
tR	45°C	Weight	49 kg

Sound levels:

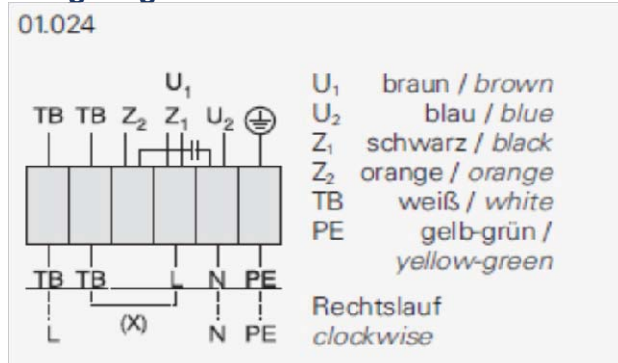
LW A-weighted at V=0.5*Vmax	Frequency (Hz)							
	125	250	500	1K	2K	4K	8K	
dBA Casing	55	51	42	44	44	40	41	51
dBA inlet side	77	62	71	73	69	67	64	57
dBA Outlet side	77	67	68	70	73	68	63	54

Dimensions:

(all dimensions in mm)



Wiring diagram:

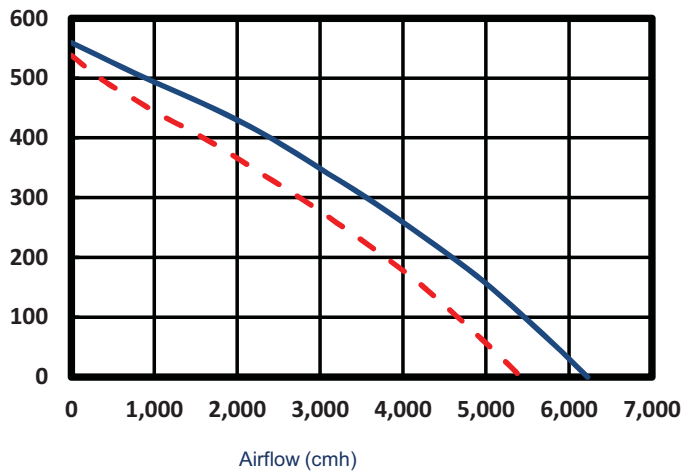




- + installation in any position possible
- + high efficiency as a result of optimized backward curved impellers
- + speed is 100% infinitely variable
- + no condensate formation by using 2 chambers aluminium profile
- + discharge in any direction possible
- + air performance tested to DIN 24163.
- + extremely low noise.
- + backward curve impeller made from aluminium.

Technical Data:

Static Pressure (Pa)

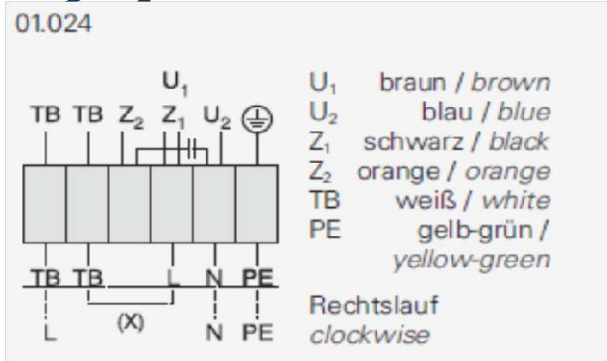


Type: UNO-67-450-4EW		Art. No. F08-45052	
U	230V (50Hz)	Δpfa min	- Pa
P1	0.84 Kw	Δ I	9 %
IN	3.7A	IA / 1N	2.1
n (min-1)	1210	Class/ IP	F/ IP54
C(uF 400V)	16 uF	W. diag	01.024
tR	40 °C	Weight	62 kg

Sound levels:

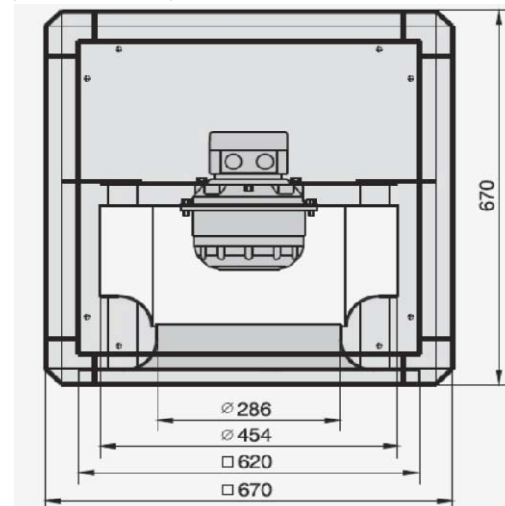
LW A-weighted at V=0.5*Vmax	Frequency (Hz)							
	125	250	500	1K	2K	4K	8K	
dBA Casing	53	49	40	42	42	38	39	49
dBA inlet side	75	60	69	71	67	65	62	55
dBA Outlet side	75	65	66	68	71	66	61	52

Wiring diagram:



Dimensions:

(all dimensions in mm)

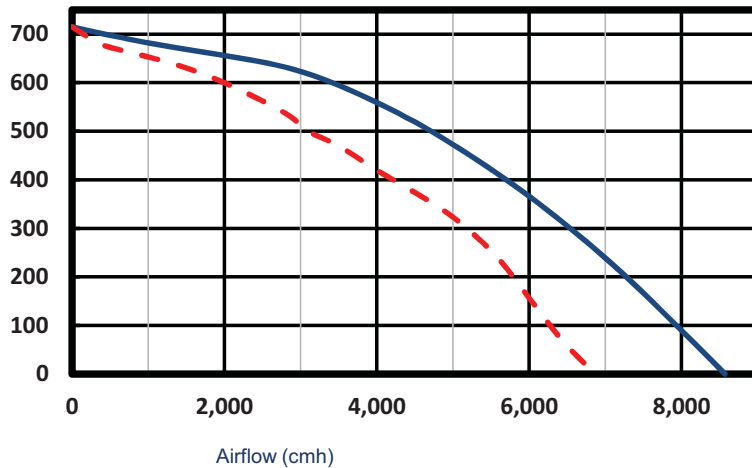




- + installation in any position possible
- + high efficiency as a result of optimized backward curved impellers
- + speed is 100% infinitely variable
- + no condensate formation by using 2 chambers aluminium profile
- + discharge in any direction possible
- + air performance tested to DIN 24163.
- + extremely low noise.
- + backward curve impeller made from aluminium.

Technical Data:

Static Pressure (Pa)



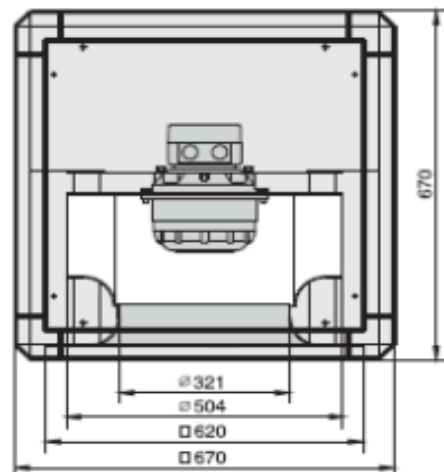
Type: UNO-67-500-4E		Art. No. F08-50015	
U	230V (50Hz)	Δpfa min	- Pa
P1	1.42 Kw	Δ I	8 %
IN	6.3A	IA / 1N	2.3
n (min-1)	1360	Class/ IP	F/ IP54
C(uF 400V)	30 uF	W. diag	01.024
tR	40 °C	Weight	66 kg

Sound levels:

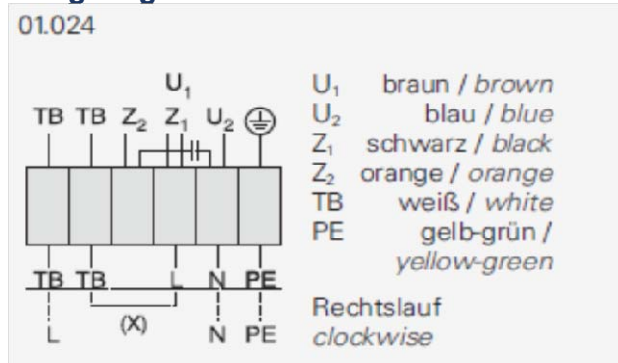
LW A-weighted at V=0.5*Vmax	Frequency (Hz)							
	125	250	500	1K	2K	4K	8K	
dBA Casing	58	54	45	47	47	43	44	54
dBA inlet side	80	61	73	74	74	72	69	60
dBA Outlet side	80	60	69	72	77	71	67	58

Dimensions:

(all dimensions in mm)



Wiring diagram:

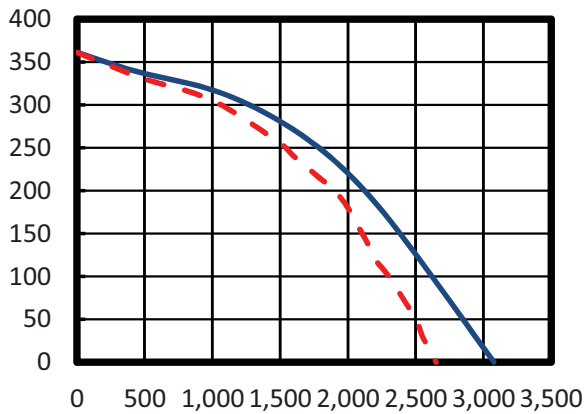




- + installation in any position possible
- + high efficiency as a result of optimized backward curved impellers
- + speed is 100% infinitely variable
- + no condensate formation by using 2 chambers aluminium profile
- + discharge in any direction possible
- + air performance tested to DIN 24163.
- + extremely low noise.
- + backward curve impeller made from plastic

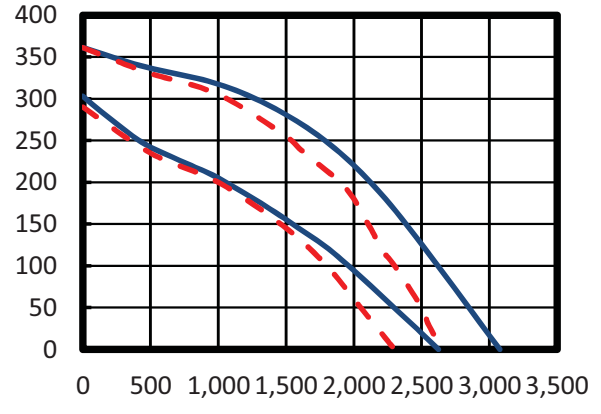
Technical Data:

Static Pressure (Pa)



Airflow (cmh)

Static Pressure (Pa)



Airflow (cmh)

Type: UNO-50-355-4D		Art. No. F08-35504	
U	400V (50Hz)	Δp_{fa} min	- Pa
P1	0.27 Kw	ΔI	- %
IN	0.55A	IA / 1N	2.7
n (min-1)	1310	Class/ IP	F/ IP54
C(uF 400V)	- uF	W. diag	01.006
tR	40 °C	Weight	33 kg

Type: UNO-50-355-4-4D		Art. No. F08-35501	
U	400V (50Hz)	Δp_{fa} min	- Pa
P1	0.27/ 0.18 Kw	ΔI	- %
IN	0.55/ 0.18A	IA / 1N	2.7
n (min-1)	1310/ 1040	Class/ IP	F/ IP54
C(uF 400V)	- uF	W. diag	01.045
tR	40 °C	Weight	33 kg

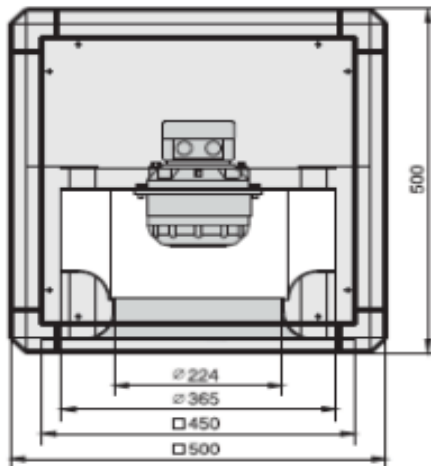
Sound levels:

LW A-weighted at $V=0.5 \cdot V_{max}$	Frequency (Hz) High speed							
	125	250	500	1K	2K	4K	8K	
dBA Casing	47	43	34	36	36	32	33	43
dBA inlet side	69	56	60	65	63	60	56	45
dBA Outlet side	69	57	58	64	64	61	57	44

LW A-weighted at $V=0.5 \cdot V_{max}$	Frequency (Hz) Low speed							
	125	250	500	1K	2K	4K	8K	
dBA Casing	44	40	31	33	33	29	30	40
dBA inlet side	66	53	57	62	60	57	53	42
dBA Outlet side	66	54	55	61	61	58	54	41

Dimensions:

(all dimensions in mm)

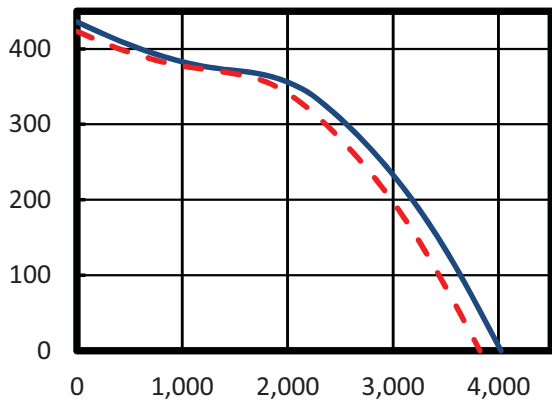




- + installation in any position possible
- + high efficiency as a result of optimized backward curved impellers
- + speed is 100% infinitely variable
- + no condensate formation by using 2 chambers aluminium profile
- + discharge in any direction possible
- + air performance tested to DIN 24163.
- + extremely low noise.
- + backward curve impeller made from plastic.

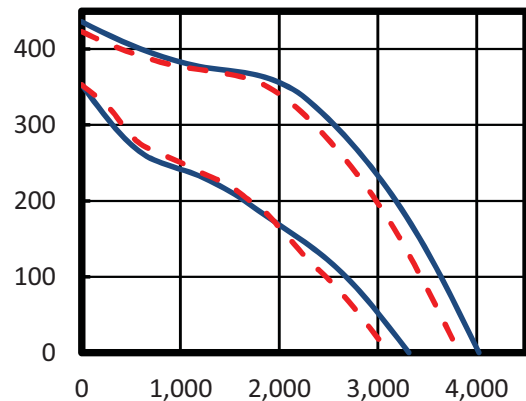
Technical Data:

Static Pressure (Pa)



Airflow (cmh)

Static Pressure (Pa)



Airflow (cmh)

Type: UNO-67-400-4D		Art. No. F08-40004	
U	400V (50Hz)	Δp_{fa} min	- Pa
P1	0.46 Kw	ΔI	- %
IN	0.84A	IA / 1N	3.2
n (min-1)	1340	Class/ IP	F/ IP54
C(uF 400V)	- uF	W. diag	01.006
tR	50 °C	Weight	49 kg

Type: UNO-67-400-4-4D		Art. No. F08-40001	
U	400V (50Hz)	Δp_{fa} min	- Pa
P1	0.46/ 0.34 Kw	ΔI	- %
IN	0.84/ 0.55A	IA / 1N	3.2
n (min-1)	1340/ 1040	Class/ IP	F/ IP54
C(uF 400V)	- uF	W. diag	01.045
tR	50 °C	Weight	49 kg

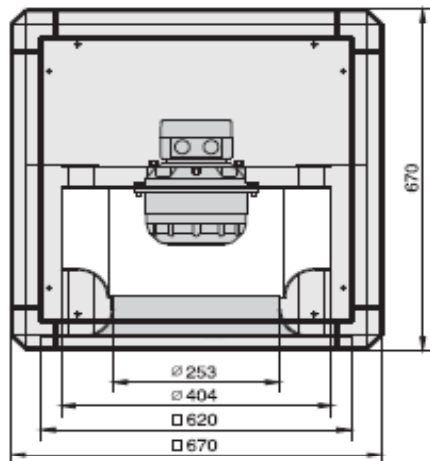
Sound levels:

LW A-weighted at V=0.5*Vmax	Frequency (Hz) High speed							
	125	250	500	1K	2K	4K	8K	
dBA Casing	54	50	41	43	43	39	40	50
dBA inlet side	76	61	70	72	68	66	63	56
dBA Outlet side	76	66	67	69	72	67	62	53

LW A-weighted at V=0.5*Vmax	Frequency (Hz) Low speed							
	125	250	500	1K	2K	4K	8K	
dBA Casing	48	45	34	36	36	32	33	43
dBA inlet side	69	54	63	65	61	59	56	49
dBA Outlet side	69	59	60	62	65	60	55	46

Dimensions:

(all dimensions in mm)

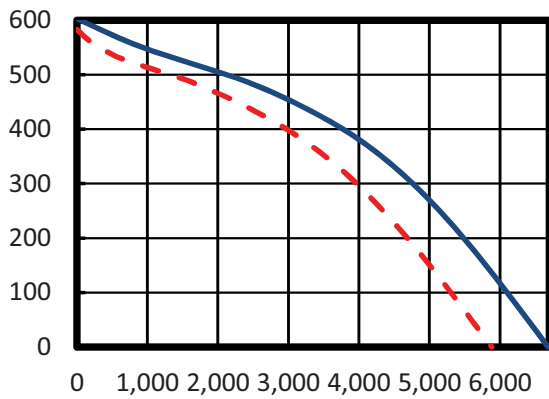




- + installation in any position possible
- + high efficiency as a result of optimized backward curved impellers
- + speed is 100% infinitely variable
- + no condensate formation by using 2 chambers aluminium profile
- + discharge in any direction possible
- + air performance tested to DIN 24163.
- + extremely low noise.
- + backward curve impeller made from aluminium.

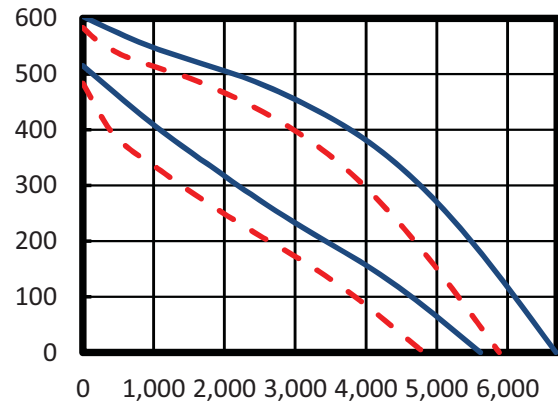
Technical Data:

Static Pressure (Pa)



Airflow (cmh)

Static Pressure (Pa)



Airflow (cmh)

Type: UNO-67-450-4DW		Art. No. F08-45007	
U	400V (50Hz)	Δp_{fa} min	- Pa
P1	0.94 Kw	ΔI	- %
IN	1.7A	IA / 1N	3.3
n (min-1)	1320	Class/ IP	F/ IP54
C (uF 400V)	- uF	W. diag	01.006
tR	40 °C	Weight	54 kg

Type: UNO-67-450-4-4DW		Art. No. F08-45008	
U	400V (50Hz)	Δp_{fa} min	- Pa
P1	0.94/ 0.62 Kw	ΔI	- %
IN	1.7/ 1.1A	IA / 1N	3.3
n (min-1)	1320/ 990	Class/ IP	F/ IP54
C (uF 400V)	- uF	W. diag	01.045
tR	40 °C	Weight	54 kg

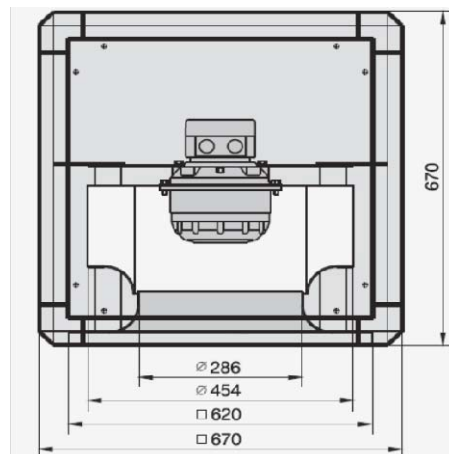
Sound levels:

LW A-weighted at V=0.5*Vmax	Frequency (Hz) High speed							
	125	250	500	1K	2K	4K	8K	
dBA Casing	53	49	40	42	42	38	39	49
dBA inlet side	75	60	69	71	67	65	62	55
dBA Outlet side	75	65	66	68	71	66	61	52

LW A-weighted at V=0.5*Vmax	Frequency (Hz) Low speed							
	125	250	500	1K	2K	4K	8K	
dBA Casing	45	41	32	34	34	30	31	41
dBA inlet side	67	52	61	63	59	57	54	47
dBA Outlet side	67	57	58	60	63	58	53	44

Dimensions:

(all dimensions in mm)

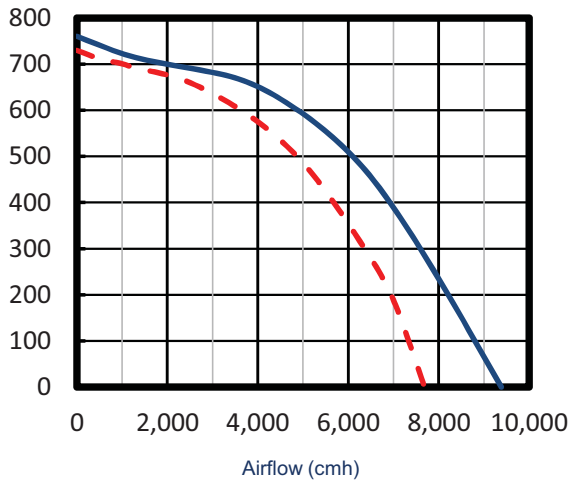




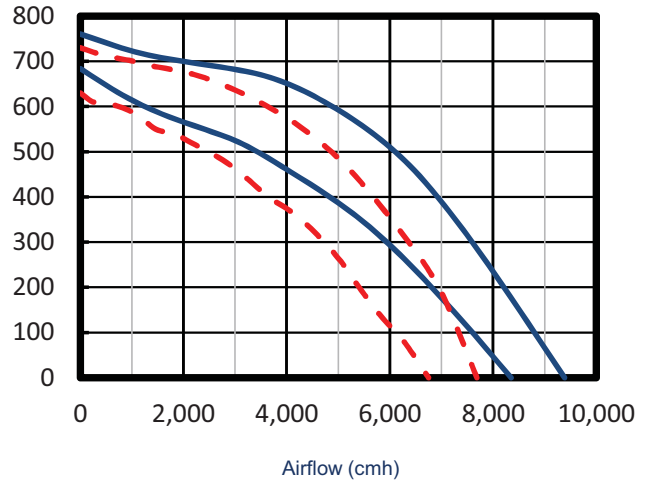
- + installation in any position possible
- + high efficiency as a result of optimized backward curved impellers
- + speed is 100% infinitely variable
- + no condensate formation by using 2 chambers aluminium profile
- + discharge in any direction possible
- + air performance tested to DIN 24163.
- + extremely low noise.
- + backward curve impeller made from aluminium.

Technical Data:

Static Pressure (Pa)



Static Pressure (Pa)



Type: UNO-67-500-4D		Art. No. F08-50011	
U	400V (50Hz)	Δpfa min	- Pa
P1	1.35 Kw	Δ I	- %
IN	2.6A	IA / 1N	3.9
n (min-1)	1360	Class/ IP	F/ IP54
C(uF 400V)	- uF	W. diag	01.006
tR	40 °C	Weight	66 kg

Type: UNO-67-500-4-4D		Art. No. F08-50012	
U	400V (50Hz)	Δpfa min	- Pa
P1	1.35/ 0.52 Kw	Δ I	- %
IN	2.6/ 1.6A	IA / 1N	3.9
n (min-1)	1360/ 1190	Class/ IP	F/ IP54
C(uF 400V)	- uF	W. diag	01.045
tR	40 °C	Weight	66 kg

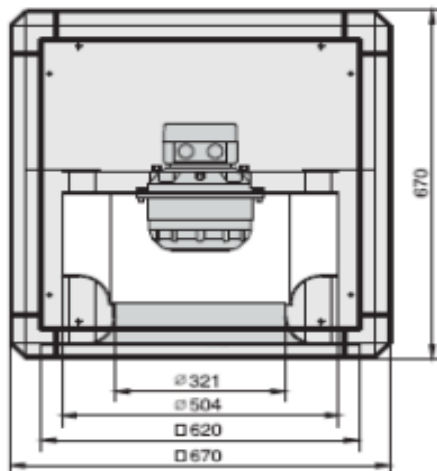
Sound levels:

LW A-weighted at V=0.5*Vmax	Frequency (Hz) High speed							
	125	250	500	1K	2K	4K	8K	
dBA Casing	58	54	45	47	47	43	44	54
dBA inlet side	80	61	73	74	74	72	69	60
dBA Outlet side	80	60	69	72	77	71	67	58

LW A-weighted at V=0.5*Vmax	Frequency (Hz) Low speed							
	125	250	500	1K	2K	4K	8K	
dBA Casing	54	50	41	43	43	39	40	50
dBA inlet side	76	57	69	70	70	68	65	56
dBA Outlet side	76	56	65	68	73	67	63	54

Dimensions:

(all dimensions in mm)

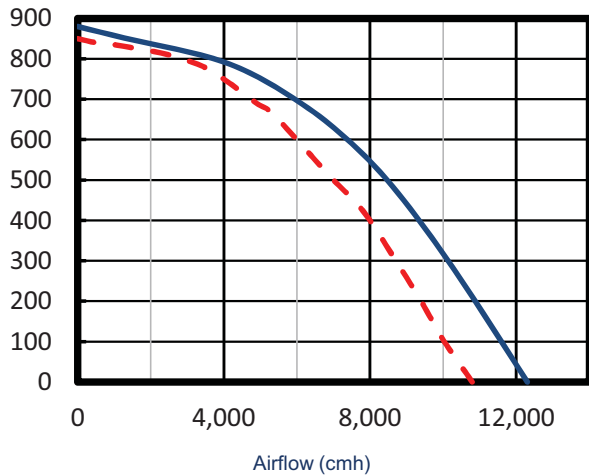




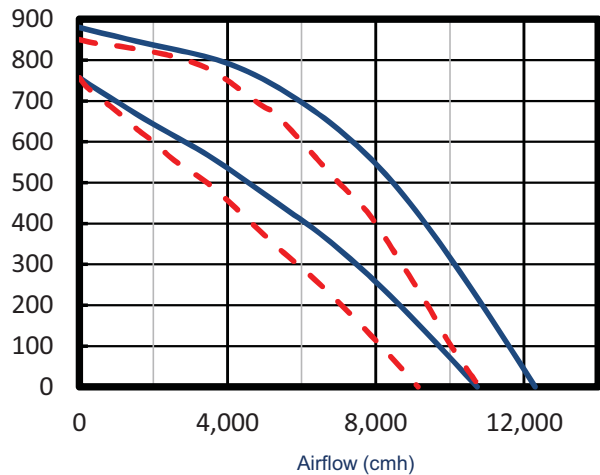
- + installation in any position possible
- + high efficiency as a result of optimized backward curved impellers
- + speed is 100% infinitely variable
- + no condensate formation by using 2 chambers aluminium profile
- + discharge in any direction possible
- + air performance tested to DIN 24163.
- + extremely low noise.
- + backward curve impeller made from aluminium.

Technical Data:

Static Pressure (Pa)



Static Pressure (Pa)



Type: UNO-80-560-4D		Art. No. F08-56010	
U	400V (50Hz)	Δpfa min	- Pa
P1	2.16 Kw	Δ I	2 %
IN	4.1A	IA / 1N	3.1
n (min-1)	1305	Class/ IP	F/ IP54
C(uF 400V)	- uF	W. diag	01.006
tR	40 °C	Weight	95 kg

Type: UNO-80-560-4-4D		Art. No. F08-56011	
U	400V (50Hz)	Δpfa min	- Pa
P1	2.16/ 1.75 Kw	Δ I	2 %
IN	4.1/ 2.9A	IA / 1N	3.1
n (min-1)	1305/ 1070	Class/ IP	F/ IP54
C(uF 400V)	- uF	W. diag	01.045
tR	40 °C	Weight	95 kg

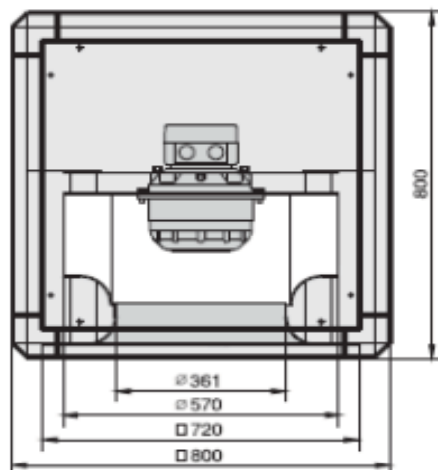
Sound levels:

LW A-weighted at V=0.5*Vmax	Frequency (Hz) High speed							
	125	250	500	1K	2K	4K	8K	
dBA Casing	60	56	47	49	49	45	46	56
dBA inlet side	82	63	75	76	76	74	71	62
dBA Outlet side	82	62	71	74	79	73	69	60

LW A-weighted at V=0.5*Vmax	Frequency (Hz) Low speed							
	125	250	500	1K	2K	4K	8K	
dBA Casing	55	51	42	44	44	40	41	51
dBA inlet side	77	58	70	71	71	69	66	57
dBA Outlet side	77	57	66	69	74	68	64	55

Dimensions:

(all dimensions in mm)

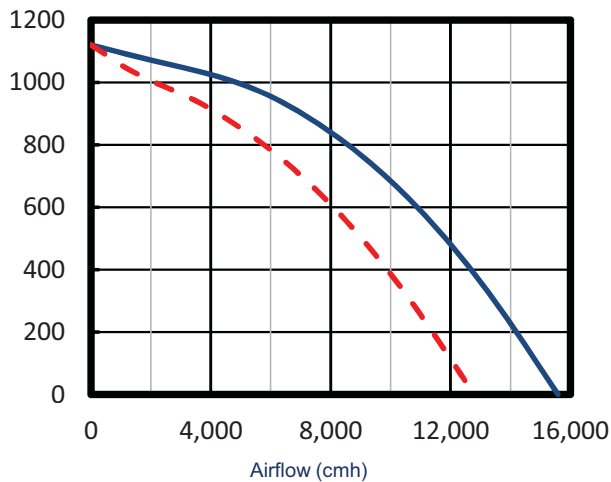




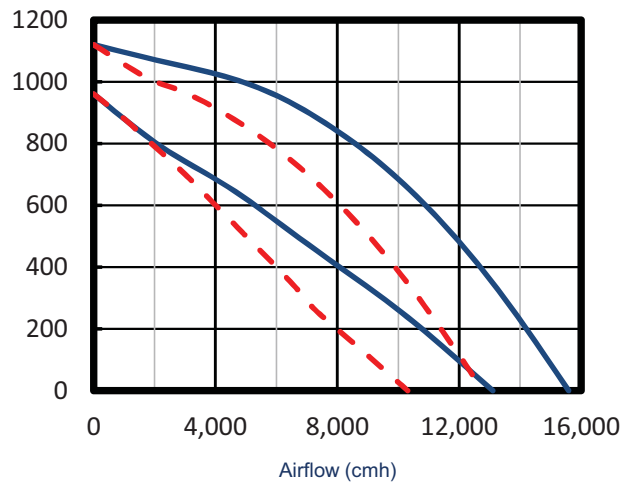
- + installation in any position possible
- + high efficiency as a result of optimized backward curved impellers
- + speed is 100% infinitely variable
- + no condensate formation by using 2 chambers aluminium profile
- + discharge in any direction possible
- + air performance tested to DIN 24163.
- + extremely low noise.
- + backward curve impeller made from aluminium.

Technical Data:

Static Pressure (Pa)



Static Pressure (Pa)



Type: UNO-80-630-4D		Art. No. F08-63008	
U	400V (50Hz)	Δpfa min	- Pa
P1	4.0 Kw	Δ I	20 %
IN	6.8A	IA / 1N	4.2
n (min-1)	1380	Class/ IP	F/ IP54
C(uF 400V)	- uF	W. diag	01.006
tR	45 °C	Weight	105 kg

Type: UNO-80-630-4-4D		Art. No. F08-63009	
U	400V (50Hz)	Δpfa min	- Pa
P1	4.0/ 2.9 Kw	Δ I	20 %
IN	6.8/ 4.8A	IA / 1N	4.2
n (min-1)	1380/ 1110	Class/ IP	F/ IP54
C(uF 400V)	- uF	W. diag	01.045
tR	45 °C	Weight	105 kg

Sound levels:

LW A-weighted at V=0.5*Vmax	Frequency (Hz) High speed							
	125	250	500	1K	2K	4K	8K	
dBA Casing	68	64	55	57	57	53	54	64
dBA inlet side	90	71	83	84	84	82	79	70
dBA Outlet side	90	70	79	82	87	81	77	68

LW A-weighted at V=0.5*Vmax	Frequency (Hz) Low speed							
	125	250	500	1K	2K	4K	8K	
dBA Casing	63	59	50	52	52	48	49	59
dBA inlet side	85	66	78	79	79	77	74	65
dBA Outlet side	85	65	74	77	82	76	72	63

Dimensions:

(all dimensions in mm)

